



www.hospitalsystems.com

Installation Instructions

Tel: 925.427.7800
Fax: 925.427.0800

support@hospitalsystems.com

Hospital Systems Inc.
750 Garcia Avenue
Pittsburg CA 94565
USA

The Axiom

Eloquence

2-Tier Patient Flush Headwall



Introduction:

The Hospital Systems, Inc. Axiom ELOQUENCE Patient Flush Headwall is made to order for this project. Each headwall consists of two rough-in brackets and the pre-wired and pre-piped headwall that is particular to each location or type.

Before attempting to install, please read and understand all of the instructions.

In particular please refer to the final approved submittal drawings as they will take precedence over these instructions.

Basic Steps for Installing the Eloquence Headwalls

- Prepare stud wall to accommodate headwall
- Mount the two rough-in brackets within the wall cavity
- Install medical gas lines in location shown on approved submittal drawings
- Install electrical and communication conduit as shown on approved submittal drawings
- Install drywall and finish building wall
- Install Eloquence Headwall
- Install all electrical and communication wiring and make appropriate connections
- Connect medical gas piping
- Test, close and clean



Do NOT use powered screwdrivers on devices or coverplates. Stripped holes or screw heads are NOT covered by warranty

Preparation of the stud wall

Determine the height and centerline for the headwall from the contract drawings. Mount a lower track $6\frac{1}{8}$ " (155 mm) below the centerline of the headwall. Allow vertical opening of $12\frac{1}{2}$ " [$+ \frac{1}{4}$ " -0]. For horizontal opening see dimensions on approved submittal drawings. See Figure 1 for detail.

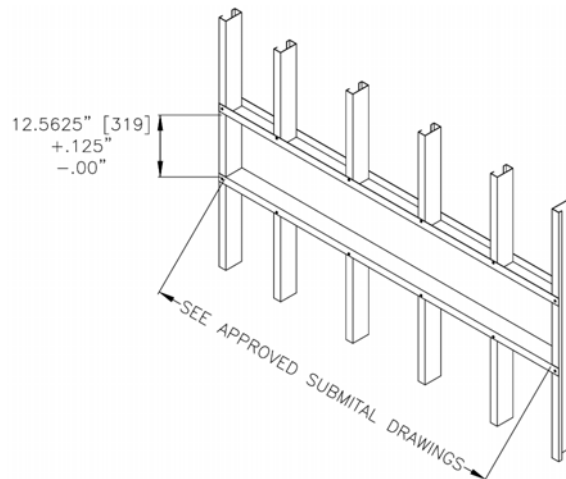


Figure 1

Mounting of the rough-in bracket

The rough-in bracket set consists of an electrical rough-in at the top and a medical gas rough-in at the right side. The mounting bracket is butted to the upper track and the right stud and is screwed to the front face of the track and

stud. Note that the track and stud must be punched to match the holes as noted on the approved submittal drawings. Be sure to leave sufficient clearance for the electrical conduit connectors. Be sure to install the supplied plastic bushings for the medical gas piping. See Figure 2 for detail.

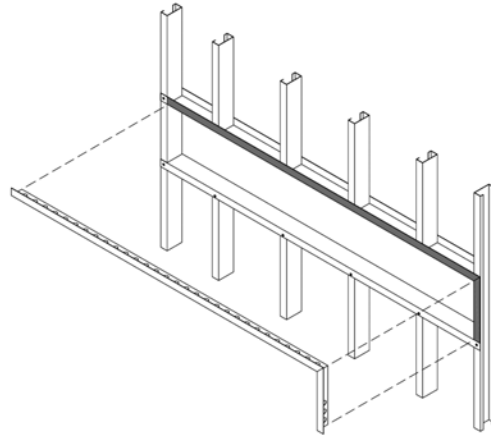


Figure 2

Installing the Medical Gas Lines.

Medical Gas Lines will enter the right side of the Eloquence Headwall [facing the wall]. The headwall will accommodate 1/2"ID lines for Oxygen and Medical Air, and 3/4"ID for Vacuum. The order of the pipe is Oxygen, Medical Air, and Vacuum for top to bottom. Note; please refer to the approved submittal drawings to insure that no changes have been made for this project. Lines are to be stubbed into the cavity 6". The installer will need to leave some lateral movement to allow the installation of a coupling. Medical gas lines should be tested at this time. Please refer to Figure 3

Installing the Electrical and Communication Conduit

Conduits are terminated at the rough-in plate. This plate will become the top of the headwall - thus conduits will not need be removed and re-attached during installation. Refer to the approved shop drawings for correct locations. We suggest using tape [e.g. blue painters tape] over the ends of the conduit to keep out any debris. Please refer to Figure 3.

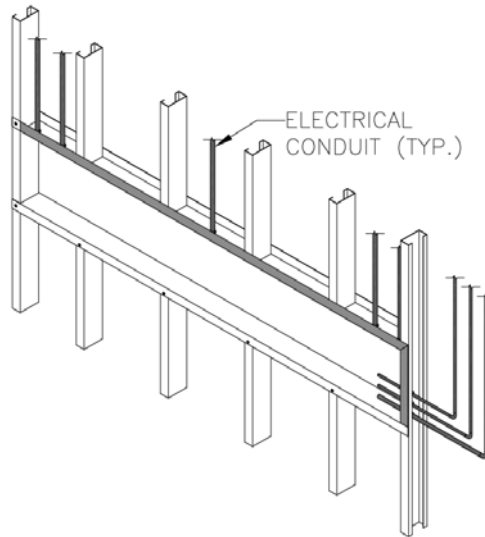


Figure 3

Drywall and Wall Finishes

Dry-wall contractor will now install drywall. Be sure that the edge of the drywall is even with the tracks and studs, and that no excess drywall or taping compound is left within the cavity. See Figure 4.

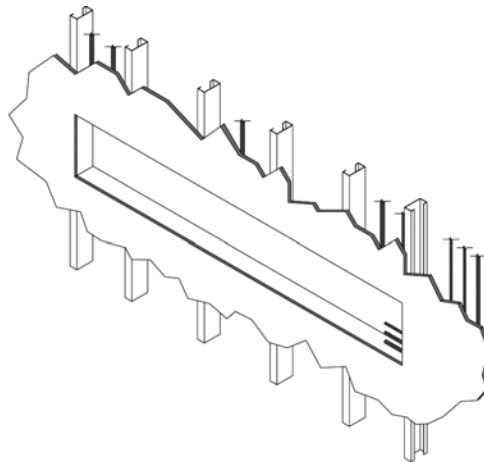


Figure 4

Installing the Eloquence Headwall

The Eloquence Headwall is now ready to install. Bring it into the area, and remove it from the carton. While still lying on its back remove the access panel. Remove the gray snap-in trim, thus exposing the screws that retain the access panel. Remove the front plates for the medical gas outlets and then remove the device fascia the same way at the access panel. The electrical devices can remain attached to the fascia



Be sure to keep the snap-in trim and screws in a safe place until you re-install the panels.

Remove the snap-in trim from the aluminum trim around the outside edge of the headwall



Be sure to keep the snap-in trim in a safe place until you attach the headwall to the building wall.

Lift the Eloquence Headwall and insert it into the wall cavity. See Figure 5

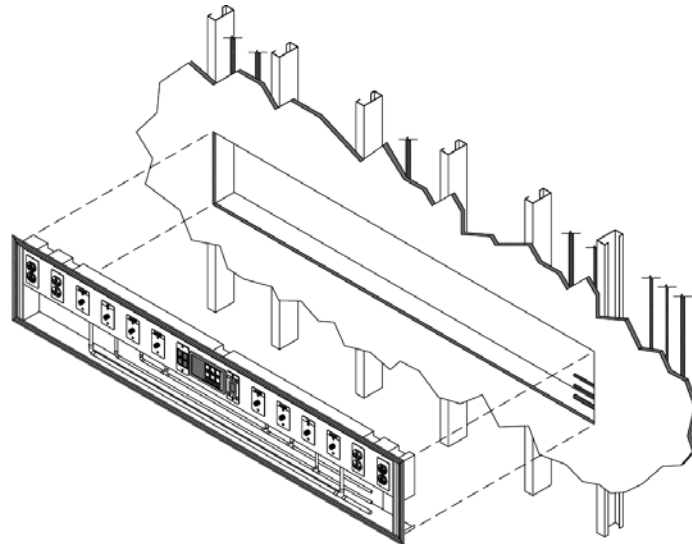


Figure 5

Screw through the holes provided in the extrusion trim around the edge of the headwall. [Through the trim, the drywall and into the studs and track.] Replace snap-in trim See Figure 6

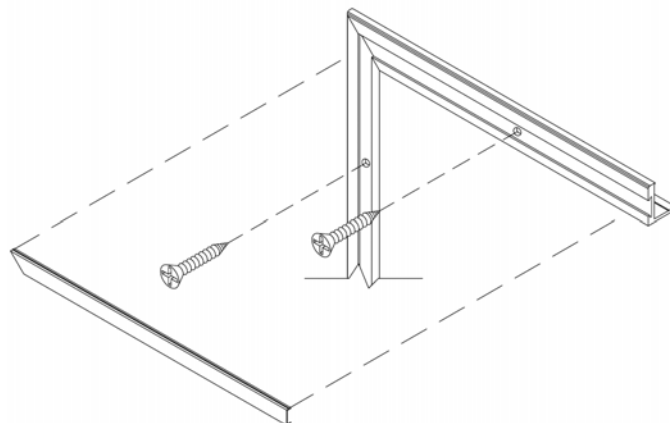


Figure 6

Electrical and Communication Wiring and Cables

Pull electrical and communication wiring into the appropriate compartments. The rough-in bracket has now become the top of the terminal compartments. Be sure to install the provided nuts to the rough-in studs that now protrude through the back of the terminal compartment. This is important for grounding. Connect the incoming wire to the pig-tails provided in the

headwall. Communication wiring should go directly to the device that it will serve.

Connecting the Medical Gas Lines

Connect the medical gas lines. All brazing must be completed according to the NFPA 99 and local codes.

Test all medical gas lines and brazed joints according to NFPA-99 and local codes.



The inert gas (i.e. N₂, CO₂), used in brazing, must not overheat the gas outlets. (Suggestion - have inert gas flow through and away from the outlet.) Damage to the outlet due to overheating is NOT covered by warranty.

Nurse Call and Other Communication Devices

Install devices per the installation instructions of the device manufacturer. Mounting holes are drilled and tapped for 6-32 screws.

Note: for telephone and/or data jacks, we have provided a module holder and coverplate. These holders will accommodate standard RJ-11, and RJ-45 modules. DO NOT INSTALL standard wall box plates. Additional holders and cover plates as well as modules (in various colors, and blanks) are available from Hospital Systems.

Re-installing the Access Panels and Device Fascia

All access panels are marked with the serial number. Note that the panels must be re-inserted in the same position and orientation as removed to insure that all of the holes are in line.

Insert the screws and then snap in the trim. Medical Gas Front Plates are re-installed at this time. See Figure 7



Do NOT use powered screwdrivers. Stripped holes or screw heads are NOT covered by warranty

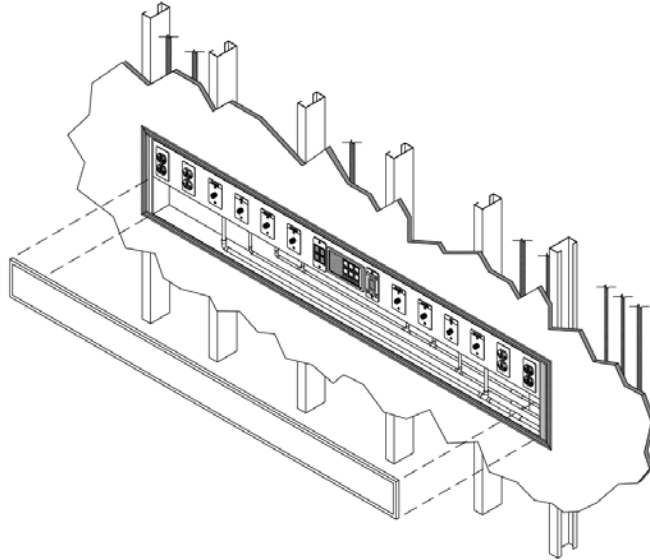
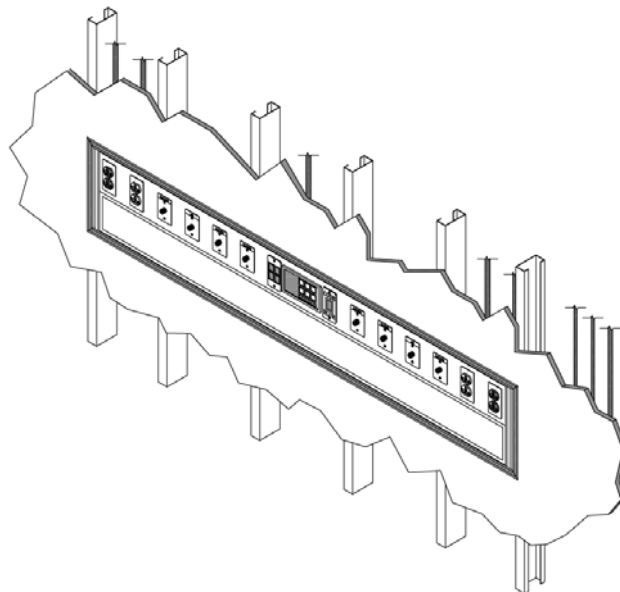


Figure 7

Final Test

Medgas outlets: Complete the testing as per NFPA-99.

Electrical devices: Test electrical receptacles and other devices per local code and general practices.



Cleaning

Use a soft cloth with non-abrasive cleaner (i.e. 409 or Windex) to remove dirt and fingerprints.