



Bed Locator/Docker

www.hospitalssystem.com

Installation Instructions

Tel: 925.427.7800

Fax: 925.427.0800

support@hospitalssystem.com



Hospital Systems Inc.
750 Garcia Avenue
Pittsburg CA 94565
USA

Introduction:

The Hospital Systems, Inc. Bed Locator/Docker is made to order for this project. Each unit consists of a rough-in bracket, a Back-pan with devices that are pre-wired, and a Kydex cover.

Before attempting to install, please read and understand all of the instructions. In particular please refer to the final approved submittal drawings as they will take precedence over these instructions

Basic Steps for Installing the Bed Locator/Docker

- Prepare stud wall to accommodate the unit
- Mount the rough-in bracket to the studs
- Install electrical and communication conduit as shown on approved submittal drawings
- Install drywall and finish building wall
- Install the Back-pan with the electrical j-boxes
- Install and wire any required low voltage devices
- Mount the Kydex cover
- Test and Clean



Do NOT use powered screwdrivers on devices, coverplates or cover mounting screws.. Stripped holes or screw heads are NOT covered by warranty

Preparation of the stud wall

Determine the centerline for the Bed Locator/Docker from the approved submittal drawings and the contract drawings. Place vertical studs so that the gap between studs is centered at the center line of the Bed Locator/Docker.



Refer to approved submittal drawings for any dimensional changes

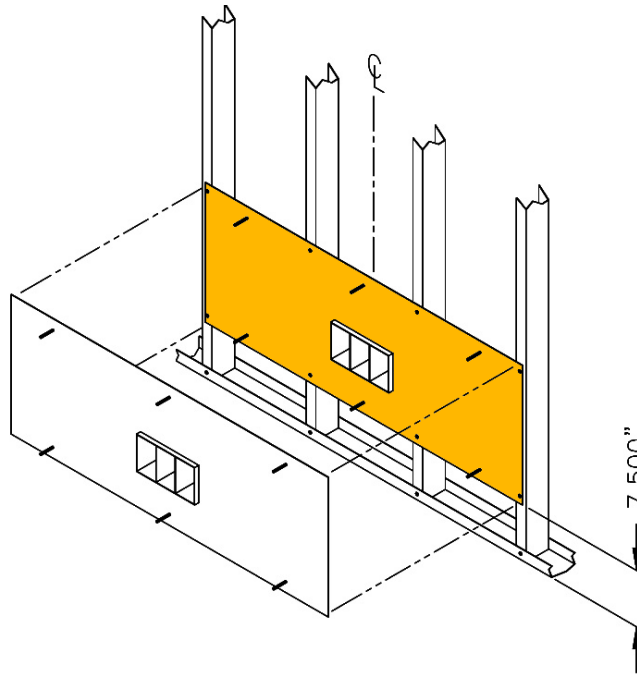


Figure 1

Mounting of the rough-in bracket

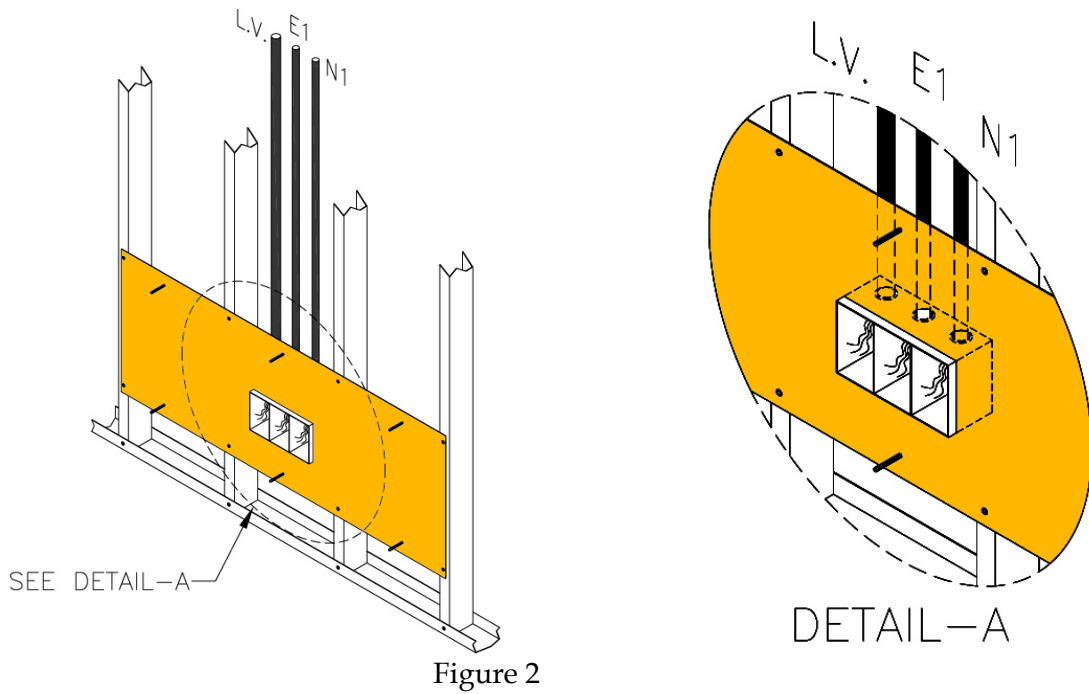
Mount the rough-in bracket so that the bottom of the bracket is 7.5" (190)mm above the floor. Attach the mounting bracket to the studs with sheet metal or TEC screws [not provided]. See Figure 1 for detail. Electrical junction boxes are integral with the rough-in bracket and locate the electrical and communication entrances. Install conduit in appropriate box. Be sure to follow the order of conduit. $\frac{3}{4}$ -1" combination knockouts are provided on the top and bottom of each compartment. Normally the order of the boxes is [R to L] Low Voltage, Emergency Power, and Normal Power. Check the approved submittal drawings for any variation. The rough-in bracket is screwed to the front of the vertical studs. Note that there are four $\frac{1}{4}$ -20 bolts attached to the bracket. These will eventually be used to mount the Bed Bumper/Locator. The threaded portion of the bolts, point into the room. Refer to Figure 2.



Be sure that the Rough-in bracket is mounted level.



Do not remove the protective covering over the threads of the attached bolts.



DETAIL-A

Drywall and Wall Finishes

Drywall contractor will now install drywall. The electrical/communication boxes protrude in front of the rough-in bracket to accommodate 5/8" drywall. See Figure 3



Be sure to warn the drywall contractor not to damage the four mounting studs.

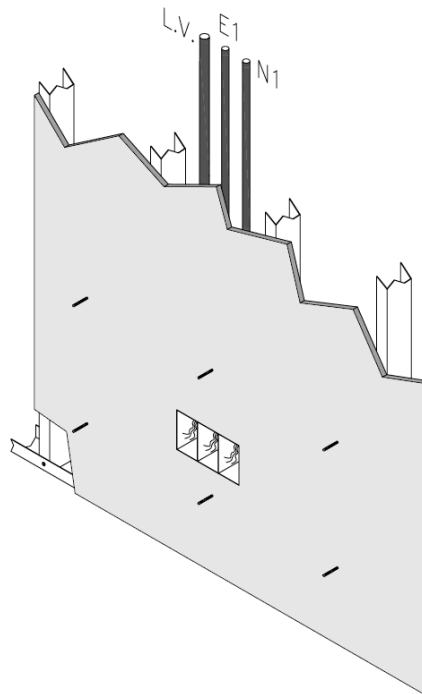


Figure 4

Installing the Bed Locator/Docker

After the building wall finishes have been applied, the Bed Locator/Docker is now ready to install. Bring it into the area, and remove it from the carton. Remove the four (4) screw at the edge of the Kydex cover and lift the lower portion of the cover away from the backpan and unhook to from the top of the backpan. The electrical devices will remain with the Kydex cover. Please use caution to not put undue strain on the flex conduit.. Loosen the two screws securing the coverplate for the electrical/communication terminal compartment.



Be sure to keep all screws and coverplate together for later re-installation

Remove the thread protectors from the six studs protruding from the building wall. Mount the Bed Locator/Docker backpan to the six studs. See Fig 5



DO NOT OVER-TIGHTEN. Backpan must remain flat and un-bowed. If the backpan becomes bowed you will not be able to properly remount the Kydex cover.

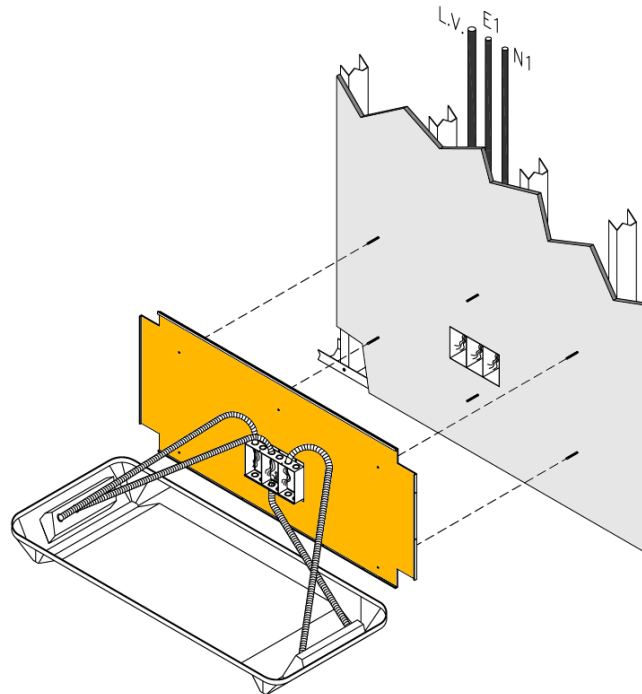


Figure 5

Internal flex conduit of your units may differ from Figure 5.

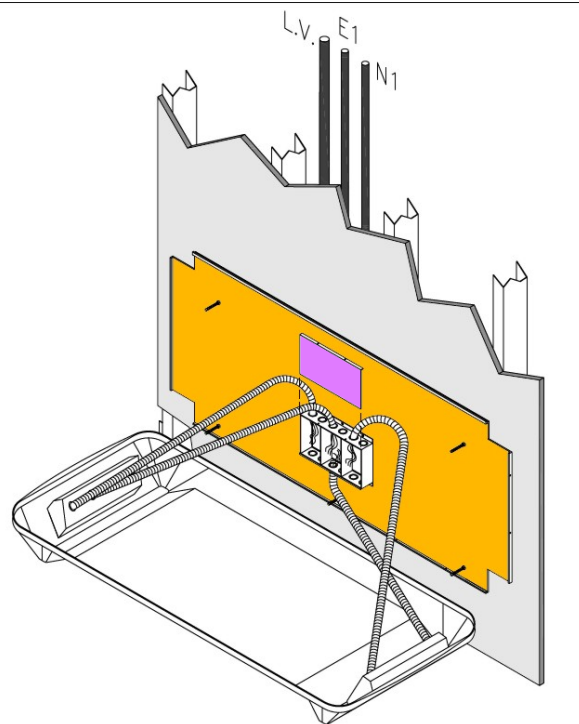


Figure 6

Electrical and Communication Wiring and Cables

Pull electrical and communication wiring into the appropriate terminal compartments. Connect the incoming wires to the pig-tails provided in the Bed Locator/Docker junction boxes. Communication wiring should go through the terminal compartment directly to the device that it will serve. A pull cord has been provided.

Once connections have been made, secure the junction box cover plate to the junction box. Be sure to have the cover behind the flange at the bottom of the terminal compartment before tightening the screws at the top.

Install the Cover

Hook the cover over the top of the backpan. As you close down the cover, be sure to route the flex conduit so that it lays next to the white impact cushions. Re-install the cover screws.

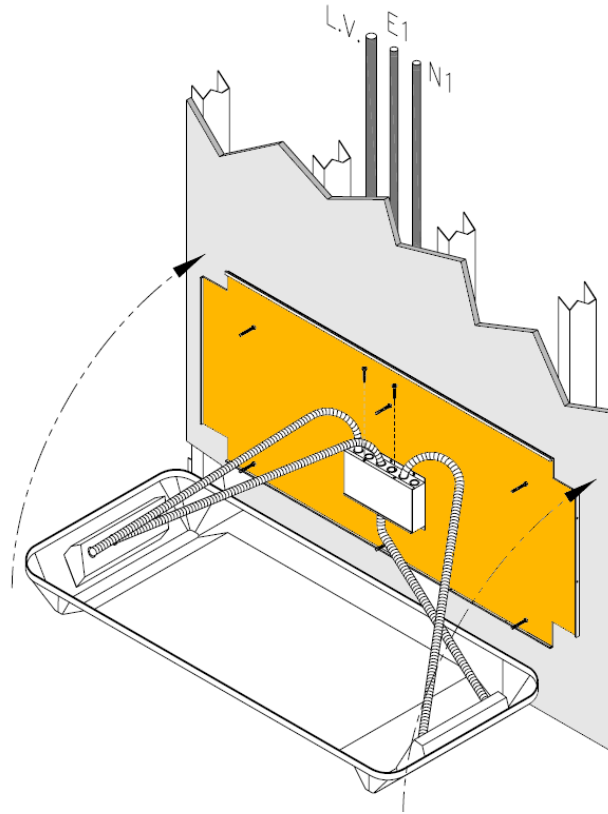


Figure 7

Nurse Call and Other Communication Devices

Install devices per the installation instructions of the device manufacturer. Mounting holes are drilled and tapped for 6-32 screws.



Note: for telephone and/or data jacks, we have provided a module holder and coverplate.

These holders will accommodate standard RJ-11, and RJ-45 modules.

DO NOT INSTALL standard wall box plates. Additional holders and cover plates as well as modules (in various colors, and blanks) are available from Hospital Systems



If the optional 37-pin bed communication jack is provided, it will have a 10ft whip prewired, you will need to pull this through your conduit to the nurse call patient station.

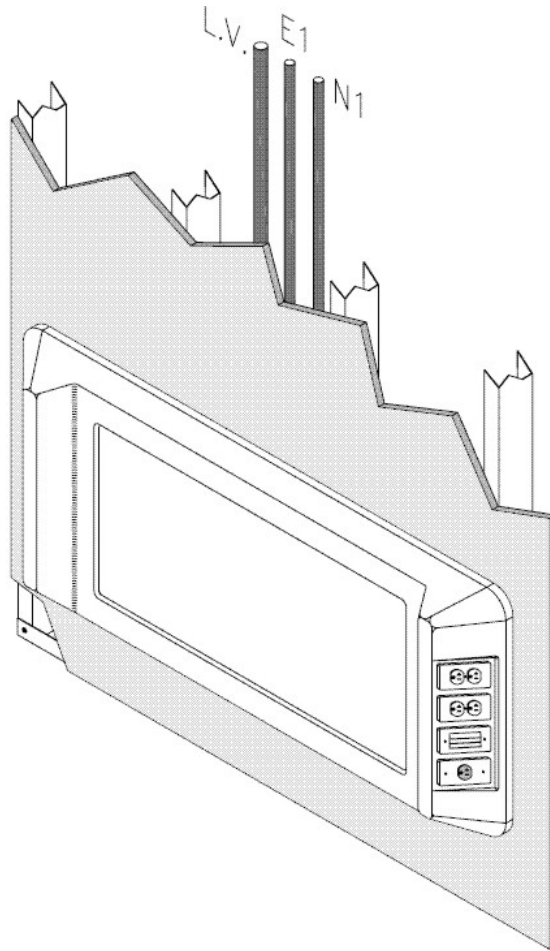


Figure 7

Final Test

Test electrical receptacles and other devices per local code and general practices

Cleaning

Use a soft cloth with non-abrasive cleaner (i.e. 409 or Windex) to remove dirt and fingerprints.